



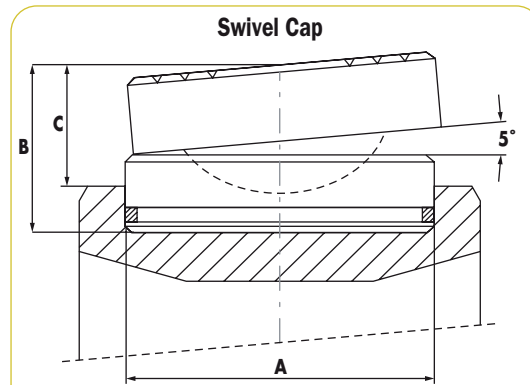
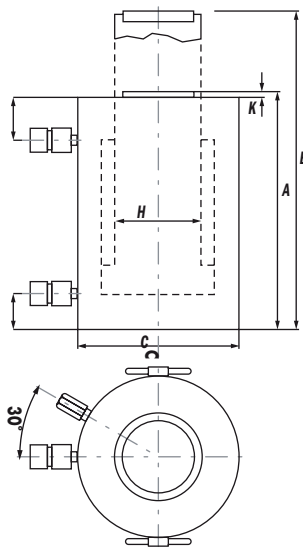
# High Tonnage CYLINDER RC SERIES

## 740 & 1220 Double-Acting, Hydraulic Return

High Tonnage Cylinders  
Rugged And Reliable!

- Cylinders come standard with hardened caps.
- Optional swivel caps to reduce the effects of off-center loading.
- Cylinders may be “dead-ended” without damage.
- Safety relief valve prevents over-pressurization of the retract circuit.
- Each cylinder has two 9796 3/8" NPTF female half couplers.

### Double-Acting High Tonnage Cylinders



Order No.	Used with Cyl. Order No.	A mm	B mm	C mm	Product Wt. kg
2000822	RC740*D	200,1	78,7	55,9	19,3
2000823	RC965*D	248,9	104,1	76,2	40
2000825	RC1220*D	322,6	175,3	124,5	113

In mm Cyl. Cap. (tons)	Stroke (mm)	Order No.	Oil Cap. (cm <sup>3</sup> )	A Retracted Height (mm)	B Extended Height (mm)	C Outside Dia. (mm)	F Base to Port (mm)	G Cyl. Top to Port (mm)	H Piston Rod Dia. (mm)	K Piston Rod Protrusion (mm)	Cyl. Effective Area (cm <sup>2</sup> )	700 bar	Product Wt.
740	50	RC7402D	4.811	283	333	430	65	100	280	9	962,0	673,5	304
740	150	RC7406D	14.132	398	548	430	65	100	280	9	962,0	673,5	398
740	250	RC74010D	24.053	508	758	430	65	100	280	9	962,0	673,5	490
965	50	RC9652D	6.283	310	360	490	70	115	320	10	1.256,6	879,7	434
965	150	RC9656D	18.850	420	570	490	70	115	320	10	1.256,6	879,7	551
965	250	RC96510D	31.416	530	780	490	70	115	320	10	1.256,6	879,7	668
1220	50	RC12202D	7.952	330	380	550	80	135	360	10	1.590,4	1.113,3	584
1220	150	RC12206D	23.856	440	590	550	80	135	360	10	1.590,4	1.113,3	731
1220	250	RC122010D	39.761	550	800	550	80	135	360	10	1.590,4	1.113,3	878

CYLINDERS