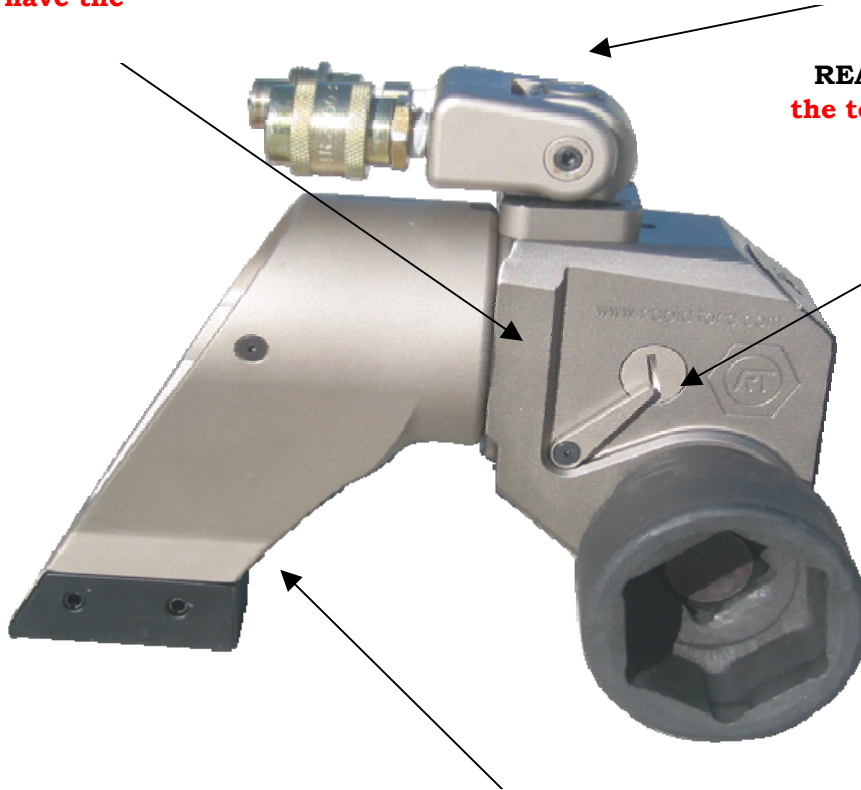


# High Torque Wrenches

**LIGHT WEIGHT- Tough Titanium Alloy. Weight is critical for OH&S requirements - We have the answer.**

**HOSE SWIVEL - 360° x 180° Hydraulic Hose Swivel Rotation. Allows the operator to move hoses away from obstructions. Simply a must have feature on Hydraulic Wrenches - Safer**

**FAST  
LIGHTWEIGHT  
COMPACT  
TOUGH  
POWERFUL  
RELIABLE  
VERSATILE  
ACCURATE  
SAFER  
PROVEN  
ISO CERTIFIED  
AUSTRALIAN  
NETWORK  
AFFORDABLE  
EASY**

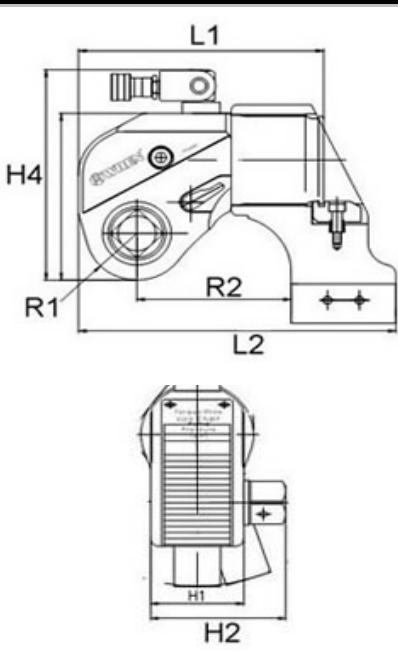


**REACTION PAWL -Ensures the tool will ratchet with out the need to be held Hands Free - Safer**

**PUMPS - Tools will run off any 10,000 psi / 1,500 Retract double acting High Torque Wrench Pump**

**REACTION ARM - Fully Adjustable. Can be rotated and adjusted to suit standard and long sockets. Fine adjustment permits reactions in tight places or on angled surfaces. Push release retainer at rear easy to use, secured away from damage.**

## High Torque Series ( Square Drive )



Part No.	Size	Sq Drive	Ft Lbs Torque	NM Torque	L2 mm	H4 mm	R1 mm	H1 mm	KG
91062	RT-1	3/4"	200 - 1345	183 - 1837	173	131	26	50	2.5
91064	RT-3	1"	500 - 3270	451 - 4512	229	176	34	68	5
91066	RT-5	1-1/2"	750 - 5470	752 - 7528	270	199	39	80	8
91068	RT-8	1-1/2"	797 - 7977	1078 - 10,780	293	217	47	90	11
91070	RT-10	1-1/2"	1600 - 11,270	1551 - 15,516	317	232	51	100	15
91072	RT-20	2-1/2"	1973 - 19,731	2666 - 26,664	383	270	59	120	26
91074	RT-25	2-1/2"	2569 - 25,697	3472 - 34,725	401	297	66	137	35
91076	RT-35	2-1/2"	3601 - 36,013	4866 - 48,666	465	332	77	153	50
91078	RT-50	2-1/2"	5328 - 53,280	7200 - 72,000	516	341	81	160	87

**Tj Tools** Offer the Square Drive wrenches for use with impact sockets and in hex drivers. TJ Tools in Australia now for over 20 years has become the leading wrench for Heavy Engineering. Our tools are the smallest, lightest & most powerful torque output in their class. Proven reliability, Hydraulic Torque Tools are popular with mining & petrochemical. ISO certification 9001 - 2000. Large Stocks and Spare parts held in Australia. Supplied with Calibration Certificate, Torque Chart, Instructions & 12 Month Warranty. Torque Accuracy +/- 3%.

**TJ TOOLS - ( ABN: 90069966436 )      Email: trevor@tjtools.com.au**  
**HQ: 08 8271 3533    Fax: 08 8271 3544    State Rep: Ph: 0418 802 873**